



# IDROSAC1000

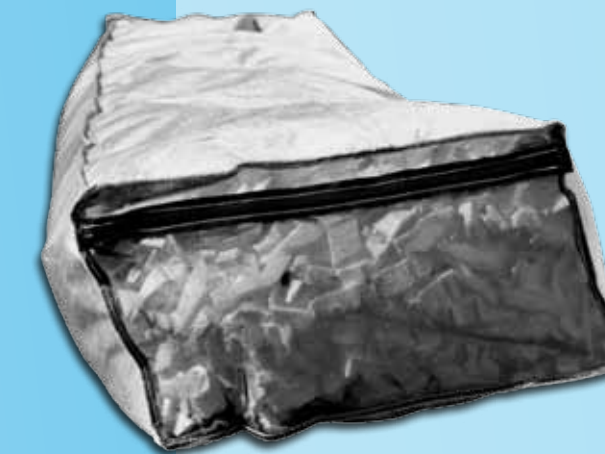
**The simple, lightweight, inexpensive solution for draining horizontal surfaces, with no need for gravel or aggregate**

**Applications:** green roofs, level surfaces

**Operating principle:** the expanded polystyrene chips inside the IDROSAC give the product good resistance to crushing and a large void ratio which capture the water in the soil and rapidly convey it through the geocomposite and towards the drains.

The containing sack consists of a non-woven geotextile layer which acts as a soil-water filter; tough square polyethylene mesh panels at the ends allow water to flow radially between sacks.

**Sales format:** flexible non-woven fabric sacks full of expanded polystyrene chips  
Bag end height = 300 mm  
Length = 2.000 mm  
Width = 1.000 mm



# IDROSAC500

**The simple, lightweight, inexpensive solution for shallow drainage systems in trenches, with no need for gravel or aggregate**

**Applications:** draining football pitches, golf courses, gardens, green roofs and vineyards

**Operating principle:** the expanded polystyrene chips inside the IDROSAC give the product good resistance to crushing and a large void ratio which capture the water in the soil and rapidly convey it through the geocomposite and towards the drains. The containing sack consists of a non-woven geotextile layer which acts as a soil-water filter; tough square polyethylene mesh panels at the ends allow water to flow radially between sacks.

**Sales format:** flexible non-woven fabric sacks full of expanded polystyrene chips  
Thickness S = 300 mm  
Length = 2.000 mm  
Height = 500 mm

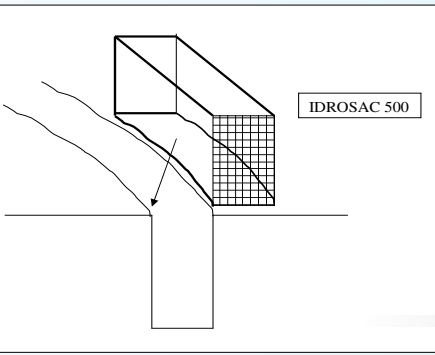


# IDROSAC

PATENTED  
HIGH-PERFORMANCE  
DRAINAGE SYSTEMS

IDROTER  
di Martinelli Francesco  
Via Tevere, 3 - 35030 Rubano (Padua, Italy)  
Tel. 049 8979925 - Fax 049 5224306  
[www.idroter.com](http://www.idroter.com) - [info@idroter.com](mailto:info@idroter.com)

## INSTALLATION IDROSAC500



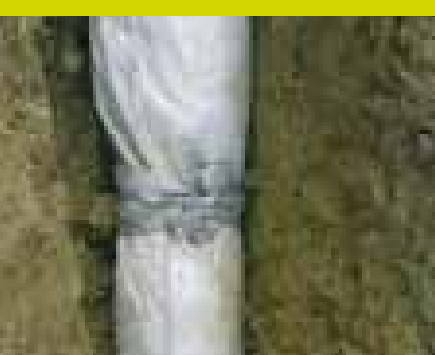
the trench is dug of the required width and depth (max 0.7-1.0 m)



the modules are joined together, outside the trench by tying the dark mesh ends together with wire to give the system hydraulic continuity



the metal tie is fitted to the eye-ring

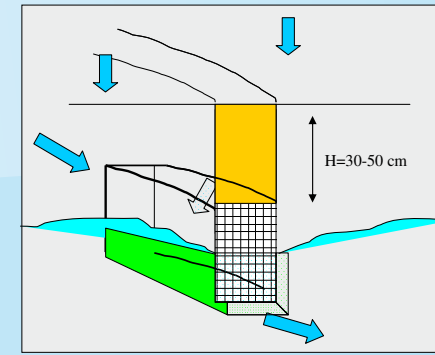


a strip of geotextile, supplied with the product, must be laid over the joints between modules, once tied together they form a long tube, lightweight and easily laid in the trench

overview of the IDROSAC 500 modules with bottom liner laid with ties



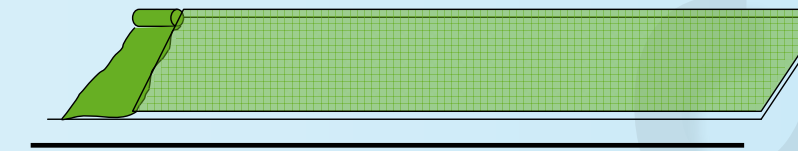
once all the products have been put in place, the trench is filled in with the spoil, which must cover the module with a layer of soil about 30-50 cm deep.



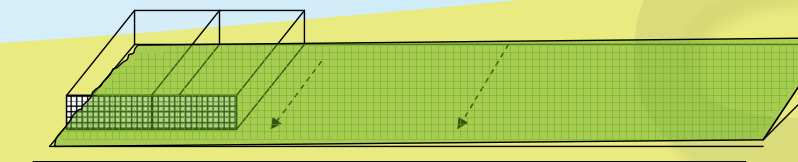
## IDROSAC1000

### EXAMPLE OF PROTECTION AND DRAINAGE WITH WATERPROOF LINER ON GREEN ROOF

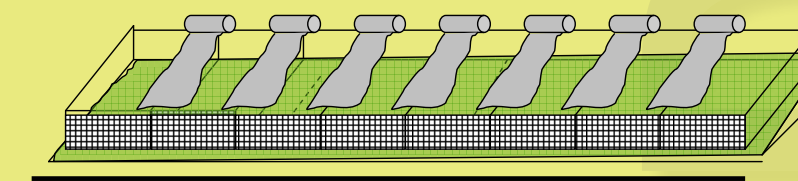
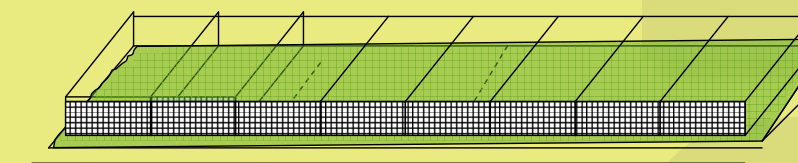
the rolls of waterproof membrane are spread in the usual way across the whole of the surface for waterproofing (hot-joint bitumen-polymer membrane or other materials such as HD, PE or PVC)



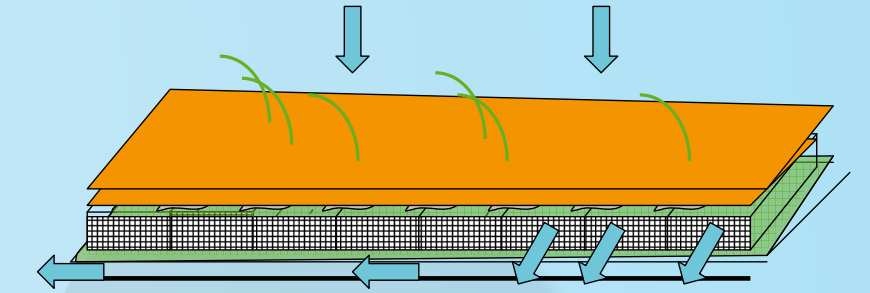
the laying surface is prepared, taking care to remove sharp objects, bricks and other materials which might damage the substrate.



the IDROSAC 1,000 geocomposite modules are laid horizontally, taking care to place the dark mesh ends perpendicular to the substrate gradient. Once all products have been installed, the system covered with spoil, once an additional layer of non-woven geotextile has been laid over the joints.



To conclude, a layer of 30 - 50 cm of soil is laid on top.



### LAYERS IN A GREEN ROOF

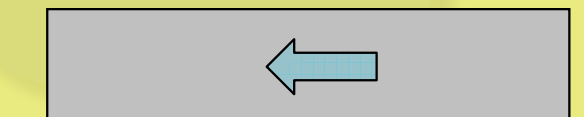
TOPSOIL



NON-WOVEN GEOTEXTILE



IDROSAC 1.000



WATERPROOF MEMBRANE

